

PUTTING A WATER FILTRATION OR WATER SOFTENER SYSTEM IN BYPASS

Your bypass may look similar or different from the examples below. Each bypass should give direction showing the flow of the water going through it and have a direction or arrow indicating how to turn the instrument into bypass. It might be a good idea to grab a flashlight and if in a difficult location a mirror before starting. The lighting is usually not the brightest.

Kinetico Slider Bypass

Service Position
(blue decal visible)



By-pass Position
(red decal visible)



1. Simply push the side showing the blue In Service plunger in toward the main body of the bypass until the Red markings are fully displayed.
2. To put back in service, reverse the procedure.

If you have a Culligan Slider bypass, refer to the manufacturer's instructions, which can be found at

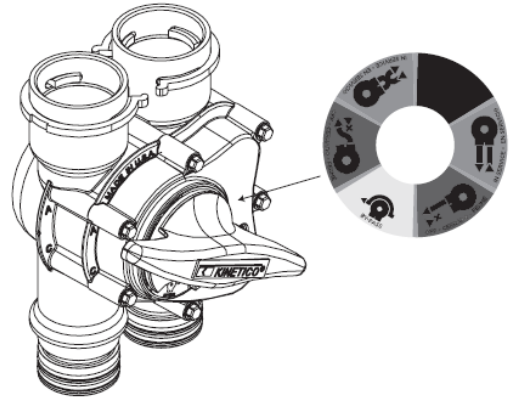
<https://www.culliganquadcities.com/help-guides/bypass-videos>

PUTTING A WATER FILTRATION OR WATER SOFTENER SYSTEM IN BYPASS

KINETICO PREMIER/MACH BYPASS

By-pass

There may be times when you need to shut off the water supply to your entire house. To do this, set the by-pass valve to the RED, "OFF" position. No water will flow through the house. To restart the water, set the by-pass valve to the GREEN, "IN SERVICE" position. You may put the softener into by-pass at any time, if necessary, by putting the by-pass valve into the YELLOW, "BY-PASS" position. You will still get water throughout the house; however, all of the water will be untreated. To return the softener to service, set the by-pass valve to the GREEN, "IN SERVICE" position.



If you have the old style Kinetico bypass, turn the gray handle so that the arrow points to the desired setting.

Service – when the valve is turned to service, water will flow through the system

Bypass – when the valve is turned to bypass, this will turn off the water to the system but still allow water to house

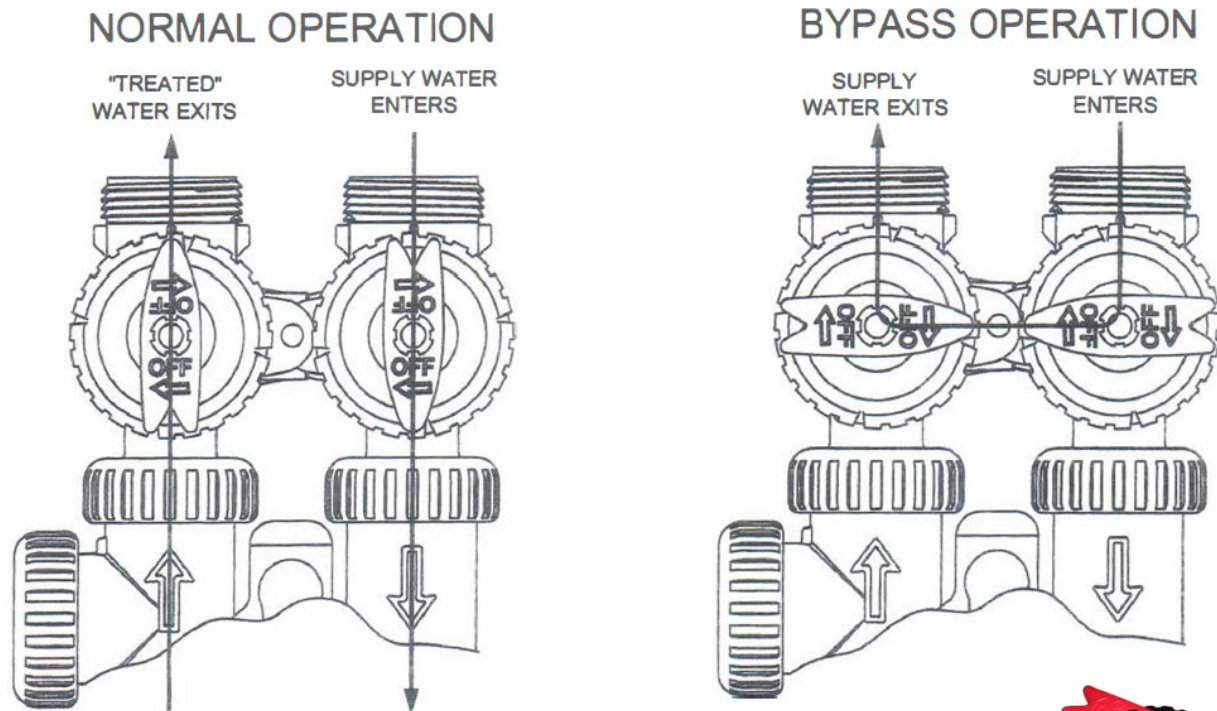
Close – when the valve is turned to close, this will turn off the water to both the system and the house



PUTTING A WATER FILTRATION OR WATER SOFTENER SYSTEM IN BYPASS

Fusion/Waterite/Clack Bypass Valve

CLACK BYPASS VALVE OPERATION



The bypass consists of two interchangeable plug valves that are operated independently by red arrow shaped handles. The handles identify the direction of flow. The plug valves enable the bypass valve to operate in four positions.

1. Normal Operation Position: The inlet and outlet handles point in the direction of flow indicated by the engraved arrows on the control valve. Water flows through the control valve for normal operation of a water softener or filter. During the regeneration cycle, this position provides regeneration water to the unit, while also providing untreated water to the distribution system. (See Figure 1)

2. Bypass Position: The inlet and outlet handles point to the center of the bypass. The system is isolated from the water pressure in the plumbing system. Untreated water is supplied to the building. (See Figure 2)



PUTTING A WATER FILTRATION OR WATER SOFTENER SYSTEM IN BYPASS

Fleck 5600 Bypass

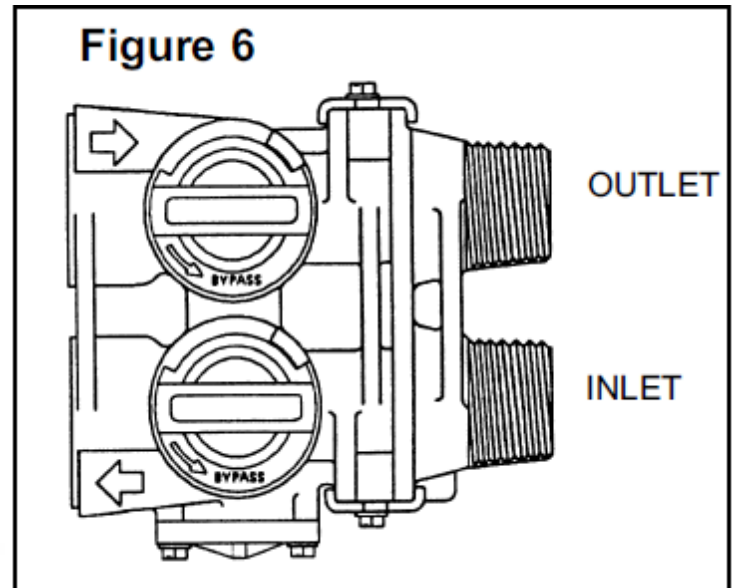
Manual Bypass (Figure 6)

In the case of emergency, such as an overflowing brine tank, you can isolate your water softener from the water supply using the bypass valve located at the back of the control.

In normal operation, the bypass is open with the on/off knobs in line with the inlet and outlet pipes. To isolate the softener, simply rotate the knobs clockwise (as indicated by the word BYPASS and arrow) until they lock.

You can use your water related fixtures and appliances as the water supply is by-passing the softener. However, the water you use will be hard.

To resume soft water service, open bypass valve by rotating the knobs counter clockwise.



Hint: It might be easier to turn by inserting a large flat-headed screwdriver into the slot to turn the handle.



If you have a brass bypass, like the example on the right, turn the handle to move the notch on the top of the bypass from service to bypass following the directional arrows. This shuts the water off to the softener while allowing the rest of the residence to have water (untreated).

PUTTING A WATER FILTRATION OR WATER SOFTENER SYSTEM IN BYPASS

Ball Valve Bypass



When the ball valve bypass is in service, each handle should be parallel to the plumbing or in the vertical position. To put in bypass, follow the instructions below:

1. Turn handle 90° starting with the incoming line. Ball valve will only turn one way.
2. Turn outgoing line handle 90°.
3. Turn middle handle 90°.
4. All handles in this case should be horizontal.
5. This will allow untreated water to the home, while isolating the water softener. To put back in service simple reverse the process.